

# COLLEGE & CAREER

## READINESS & PATHWAYS



### *10th Grade Counseling Team*



**Mrs. Gonzalez**  
A-L



**Mrs. Buchan**  
College Readiness



**Mrs. Leadbetter**  
M-Z



**Mr. Hernandez**  
Wellness Center



# GOALS



- Become familiar with the terms related to College & Career Readiness Indicators (CCI).
- Overview the 12 ways students qualify for college & CCI (white sash).
- Overview pathways to prepare for Junior Year Registration.
- Choose 3 pathways you would be interested in taking next year.





## What are College & Career Indicators (CCI)?

**The College & Career Indicators are 12 ways in which a high school student can meet the state standard of graduating with the distinction of being college and/or career ready**

### MEASURE A (CTE)

1. CTE Pathway & SBAC ELA 3+ & Math 2+ score
2. CTE Pathway & SBAC Math 3+ & ELA 2+ score
3. CTE Pathway + (1) semester college credit course

### MEASURE B (SBAC)

4. SBAC level 3+ on both ELA & Math

### MEASURE C (College Credit)

5. (2) semesters college credit course

### MEASURE D (AP)

6. Score of 3+ on (2) AP exams

### MEASURE E (A-G)

7. A-G + CTE Pathway
8. A-G + SBAC ELA 3+ & Math 2+ score
9. A-G + SBAC Math 3+ & ELA 2+ score
10. A-G + (1) semester college credit course
11. A-G + (1) AP exam score of 3+

### MEASURE F (Biliteracy Seal)

12. Biliteracy Seal & SBAC ELA 3+ score



# PVHS CTE PATHWAYS



PIONEER VALLEY  
HIGH SCHOOL

## 2025-2026 School Year

### AGRICULTURE

- **Ag Business:** Ag Leadership + Advanced Ag Leadership
- **Ag Business:** Ag Business Communication + Ag Government
- **Ag Mechanics:** Ag Mechanics + Advanced Ag Mechanics
- **Agriscience:** Ag Biology + Ag Chemistry
- **Animal Science:** Animal Science + Veterinary Science
- **Ornamental Horticulture:** Floral Des + Intro to Fruit Sci

### BUSINESS

- **Financial Services:** Accounting + Personal Finance
- **Information Services:** Comp Apps + Communication Tech
- **Software Systems:** Gaming Tech + Web Program & Design

### FAMILY CONSUMER SCIENCE

- **Food Hospitality:** Culinary Arts 1 + Culinary Arts 2
- **Fashion Design:** Apparel Design 1 + Apparel Design 2
- **Family Human Serv:** Psych of Children + Family Human Serv
- **Family Human Serv:** Relationship & Fam + Family Human Serv

### INDUSTRIAL TECHNOLOGY

- **System Diagnostics:** Small Gas Engines + Adv. Small Gas Eng
- **Product In & Des:** Mechanical Drawing 1 + Mech Drawing 2
- **Building & Construction:** Wood + Wood Tech

### SCIENCE

- **Patient Care:** Sports Med Kinesiology + Athletic Training
- **Patient Care:** Medical Health Careers (2 periods)
- **Healthcare Admin:** Medical Assisting (2 periods)

### VISUAL & PERFORMING ARTS

- **Design Visual Media:** Digital Arts 1 + Digital Arts 2
- **Professional Theatre:** Theater Arts 1 + Theater Arts 2
- **Stage Technology:** Technical Theater 1 + Technical Theater 2

### MEDIA & MARKETING

- **Media & Marketing:** Publications 1 + Publications 2

### MARK RICHARDSON CENTER (MRC)

- **Diesel:** AHC Automotive Fundamentals & Electricity
- **Agriculture Farm:** AHC Ag Production & Sustainability
- **Culinary:** AHC Baking, Sanitation, Safety & Principals of Food
- **Construction:** Construction I & II
- **Engineering & Ind Design:** AHC Machine, Solid Wk & Master Cam
- **Cyber Security:** AHC Networking Essentials I & II

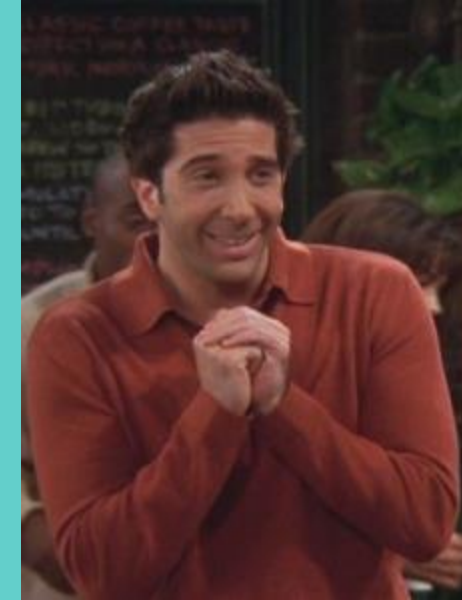


## WHAT IS A PATHWAY?

A Sequence of CTE courses within a specific subject that is designed to provide necessary skills and knowledge to pursue a related career after graduation.

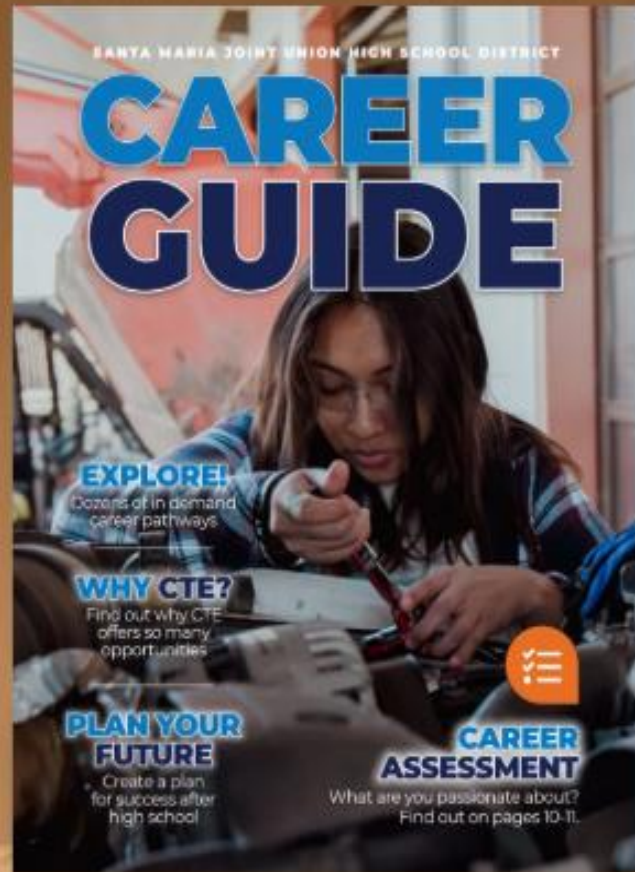
- Courses must be taken in order (concentrator then completer).
- Cannot receive (F) grade in any semester.
- Combined 2.0 GPA in last completer course.

*"The one with fun classes & then some"*



# MEASURE A (CTE)

1. CTE Pathway & SBAC ELA 3+ & Math 2+ score
2. CTE Pathway & SBAC Math 3+ & ELA 2+ score
3. CTE Pathway + (1) semester college course



Santa Maria JUHSD Career Guide, 2024 Edition

Long press to identify QR code  
Scan code to read





# AGRICULTURE

Page 16-19

**Leads to these careers:** Animal scientist, Veterinary Tech, Breeder, Wine Maker, Florist, Heavy Equipment Operator, Plant Manager, Welder, Farmer/Rancher, Florist, Pest Control Advisor, and more...

# PVHS CTE PATHWAYS

## AGRICULTURE

- **Ag Business:** Ag Leadership + Advanced Ag Leadership
- **Ag Business:** Ag Business Communication + Ag Government
- **Ag Mechanics:** Ag Mechanics + Advanced Ag Mechanics
- **Agriscience:** Ag Biology + Ag Chemistry
- **Animal Science:** Animal Science + Veterinary Science
- **Ornamental Horticulture:** Floral Design + Intro to Fruit Science



## MEASURE A (CTE)

1. CTE Pathway & SBAC ELA 3+ & Math 2+ score
2. CTE Pathway & SBAC Math 3+ & ELA 2+ score
3. CTE Pathway + (1) semester college credit course

## MEASURE B (SBAC)

4. SBAC level 3+ on both ELA & Math

## MEASURE C (College Credit)

5. (2) semesters college credit course

## MEASURE D (AP)

6. Score of 3+ on (2) AP exams

## MEASURE E (A-G)

7. A-G + CTE Pathway
8. A-G + SBAC ELA 3+ & Math 2+ score
9. A-G + SBAC Math 3+ & ELA 2+ score
10. A-G + (1) semester college credit course
11. A-G + (1) AP exam score of 3+

## MEASURE F (Biliteracy Seal)

12. Biliteracy Seal & SBAC ELA 3+ score



# BUSINESS

Page 26-27, 42-43

**Leads to these careers:** Accountant, Business Owner, Financial Planner, Project Management, Broker, Real Estate Agent, Computer Programmer, Engineer, Web Designer, Software Engineer, Office Assistant, and more...

# PVHS CTE PATHWAYS

## BUSINESS

- **Financial Services:** Accounting + Personal Finance
- **Information Services:** Computer Apps + Communication Technology
- **Software Systems:** Gaming Technology + Web Program & Design

## MEASURE A (CTE)

1. CTE Pathway & SBAC ELA 3+ & Math 2+ score
2. CTE Pathway & SBAC Math 3+ & ELA 2+ score
3. CTE Pathway + (1) semester college credit course

## MEASURE B (SBAC)

4. SBAC level 3+ on both ELA & Math

## MEASURE C (College Credit)

5. (2) semesters college credit course

## MEASURE D (AP)

6. Score of 3+ on (2) AP exams

## MEASURE E (A-G)

7. A-G + CTE Pathway
8. A-G + SBAC ELA 3+ & Math 2+ score
9. A-G + SBAC Math 3+ & ELA 2+ score
10. A-G + (1) semester college credit course
11. A-G + (1) AP exam score of 3+

## MEASURE F (Biliteracy Seal)

12. Biliteracy Seal & SBAC ELA 3+ score





# FAMILY CONSUMER SCIENCE

Page 28-29, 40-41

Leads to these careers: Chef, Caterer, Restaurant Management, Fashion Designer, Teacher, Counselor, Psychologist, Therapist, Daycare Worker, Social Worker, Retail buyer, Public Office, and more...

## PVHS CTE PATHWAYS

### FAMILY CONSUMER SCIENCE

- **Food Hospitality:** Culinary Arts 1 + Culinary Arts 2
- **Fashion Design:** Apparel Design 1 + Apparel Design 2
- **Family Human Serv:** Psych of Children + Family Human Services
- **Family Human Serv:** Relationship & Fam + Family Human Services



### MEASURE A (CTE)

1. CTE Pathway & SBAC ELA 3+ & Math 2+ score
2. CTE Pathway & SBAC Math 3+ & ELA 2+ score
3. CTE Pathway + (1) semester college credit course

### MEASURE B (SBAC)

4. SBAC level 3+ on both ELA & Math

### MEASURE C (College Credit)

5. (2) semesters college credit course

### MEASURE D (AP)

6. Score of 3+ on (2) AP exams

### MEASURE E (A-G)

7. A-G + CTE Pathway
8. A-G + SBAC ELA 3+ & Math 2+ score
9. A-G + SBAC Math 3+ & ELA 2+ score
10. A-G + (1) semester college credit course
11. A-G + (1) AP exam score of 3+

### MEASURE F (Biliteracy Seal)

12. Biliteracy Seal & SBAC ELA 3+ score



# INDUSTRIAL TECH

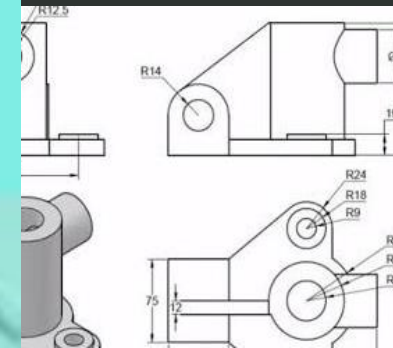
Page 24-25, 48-49

**Leads to these careers:** Construction Worker, Carpenter, Architect, Drafter, Project Manager, Mechanic, and more...

# PVHS CTE PATHWAYS

## INDUSTRIAL TECHNOLOGY

- **System Diagnostics:** Small Gas Engines + Adv. Small Gas Engines
- **Prod Innovation & Des:** Mechanical Drawing 1 + Mech Drawing 2
- **Building & Construction:** Wood + Wood Tech



## MEASURE A (CTE)

1. CTE Pathway & SBAC ELA 3+ & Math 2+ score
2. CTE Pathway & SBAC Math 3+ & ELA 2+ score
3. CTE Pathway + (1) semester college credit course

## MEASURE B (SBAC)

4. SBAC level 3+ on both ELA & Math

## MEASURE C (College Credit)

5. (2) semesters college credit course

## MEASURE D (AP)

6. Score of 3+ on (2) AP exams

## MEASURE E (A-G)

7. A-G + CTE Pathway
8. A-G + SBAC ELA 3+ & Math 2+ score
9. A-G + SBAC Math 3+ & ELA 2+ score
10. A-G + (1) semester college credit course
11. A-G + (1) AP exam score of 3+

## MEASURE F (Biliteracy Seal)

12. Biliteracy Seal & SBAC ELA 3+ score



# SCIENCE

Page 36-39

**Leads to these careers:** Nurse, Doctor, Medical Assistant, Physical Therapist, Athletic Trainer, Sports Management, Chiropractor, Medical Researcher, Sonographer, Hospital Management, EMT, Paramedic, Firefighter, and more.

# PVHS CTE PATHWAYS

## SCIENCE

- **Patient Care:** Sports Med Kinesiology + Athletic Training
- **Patient Care:** Medical Health Careers (2 periods)
- **Healthcare Admin:** Medical Assisting (2 periods)



## MEASURE A (CTE)

1. CTE Pathway & SBAC ELA 3+ & Math 2+ score
2. CTE Pathway & SBAC Math 3+ & ELA 2+ score
3. CTE Pathway + (1) semester college credit course

## MEASURE B (SBAC)

4. SBAC level 3+ on both ELA & Math

## MEASURE C (College Credit)

5. (2) semesters college credit course

## MEASURE D (AP)

6. Score of 3+ on (2) AP exams

## MEASURE E (A-G)

7. A-G + CTE Pathway
8. A-G + SBAC ELA 3+ & Math 2+ score
9. A-G + SBAC Math 3+ & ELA 2+ score
10. A-G + (1) semester college credit course
11. A-G + (1) AP exam score of 3+

## MEASURE F (Biliteracy Seal)

12. Biliteracy Seal & SBAC ELA 3+ score



# VISUAL PERFORMING ARTS

Page 20-23

Leads to these careers: Actor, Director, Stage Technician, Set Designer, Graphic Designer, Digital Marketing, Social Media, Animator, Photographer, Singer, Producer, and more...

## PVHS CTE PATHWAYS

### VISUAL & PERFORMING ARTS

- **Design Visual Media:** Digital Arts 1 + Digital Arts 2
- **Professional Theatre:** Theater Arts 1 + Theater Arts 2
- **Stage Technology:** Technical Theater 1 + Technical Theater 2



## MEASURE A (CTE)

1. CTE Pathway & SBAC ELA 3+ & Math 2+ score
2. CTE Pathway & SBAC Math 3+ & ELA 2+ score
3. CTE Pathway + (1) sem college credit course

## MEASURE B (SBAC)

4. SBAC level 3+ on both ELA & Math

## MEASURE C (College Credit)

5. (2) semesters college credit course

## MEASURE D (AP)

6. Score of 3+ on (2) AP exams

## MEASURE E (A-G)

7. A-G + CTE Pathway
8. A-G + SBAC ELA 3+ & Math 2+ score
9. A-G + SBAC Math 3+ & ELA 2+ score
10. A-G + (1) semester college credit course
11. A-G + (1) AP exam score of 3+

## MEASURE F (Biliteracy Seal)

12. Biliteracy Seal & SBAC ELA 3+ score



# MEDIA & MARKETING

Page 22-23

Leads to these careers: Producer, Photographer, Journalism, Graphic Design, Social Media Influencer, Creative Director, Publisher, Author, Ancor, Public Speaker, and more...

# PVHS CTE PATHWAYS

## MEDIA & MARKETING

● **Media & Marketing:** Marketing Publications 1 + Marketing Pubs 2



## MEASURE A (CTE)

1. CTE Pathway & SBAC ELA 3+ & Math 2+ score
2. CTE Pathway & SBAC Math 3+ & ELA 2+ score
3. CTE Pathway + (1) semester college credit course

## MEASURE B (SBAC)

4. SBAC level 3+ on both ELA & Math

## MEASURE C (College Credit)

5. (2) semesters college credit course

## MEASURE D (AP)

6. Score of 3+ on (2) AP exams

## MEASURE E (A-G)

7. A-G + CTE Pathway
8. A-G + SBAC ELA 3+ & Math 2+ score
9. A-G + SBAC Math 3+ & ELA 2+ score
10. A-G + (1) semester college credit course
11. A-G + (1) AP exam score of 3+

## MEASURE F (Biliteracy Seal)

12. Biliteracy Seal & SBAC ELA 3+ score



# MARK RICHARDSON CENTER (MRC)

## PVHS CTE PATHWAYS

### MRC (DOUBLE PERIODS)

- **Diesel:** AHC Automotive Fundamentals & Electricity
- **Agriculture Farm:** AHC Ag Production Enterprise & Sustainability
- **Culinary:** AHC Baking, Sanitation, Safety & Principals of Food
- **Construction:** Construction I & II
- **Engineering & Ind Design:** AHC Machining, Solid Wrk & Master Cam
- **Cyber Security:** AHC Networking Essentials I & II

- 2 period classes
- Complete pathway in 1 year
- Bused to and from MRC
- Students from all 4 high schools
- Hands on experience and certifications
- All but 1 are AHC Transferable
- Juniors & Seniors have priority



# MARK RICHARDSON CLECAF

## CAREER TECHNICAL EDUCATION CENTER & AGRICULTURAL FARM

MARK RICHARDSON  
**CLECAF**  
CAREER TECHNICAL EDUCATION CENTER & AGRICULTURAL FARM

### DESIGN BUILD AWARD & SCHOLARSHIP WINNERS!

MRC Construction won Peoples Choice and an Architect Open Category Award. One student won a scholarship.

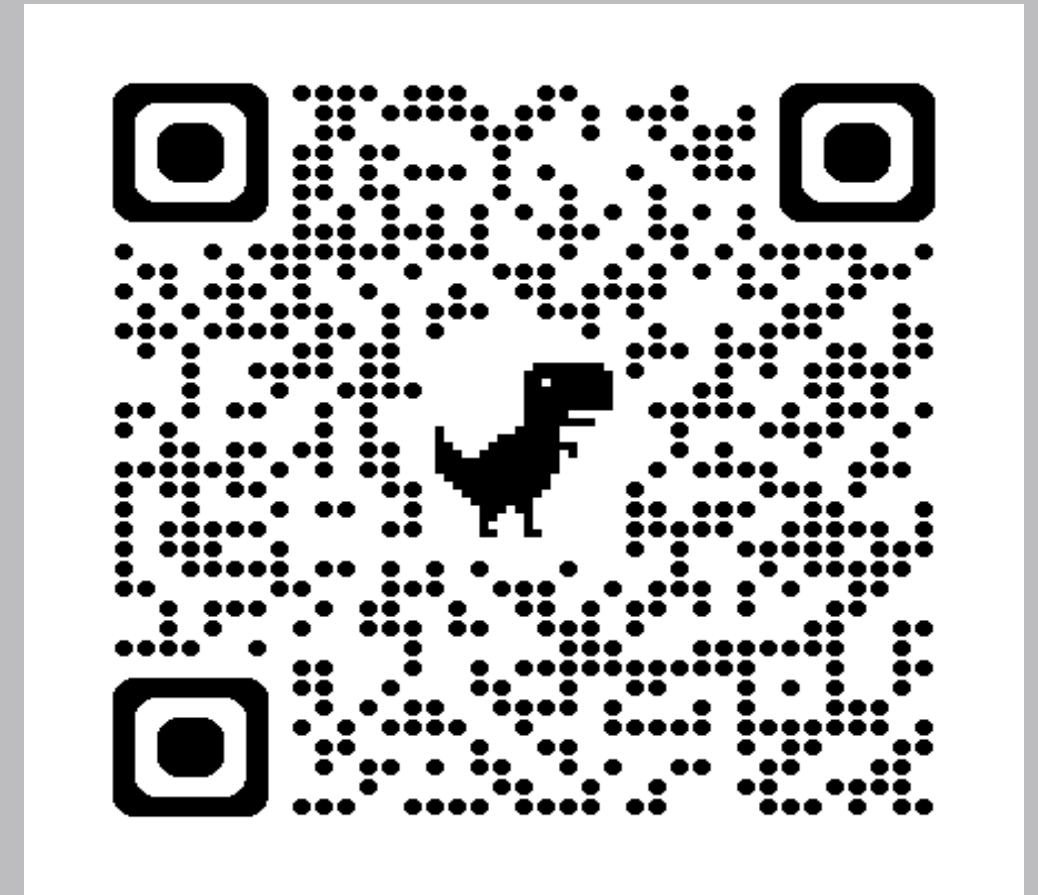


MARK RICHARDSON  
**CLECAF**  
CAREER TECHNICAL EDUCATION CENTER & AGRICULTURAL FARM



### CONCURRENT ENROLLMENT & PRE-APPRENTICESHIP *Expanding Career School Connections*

All six Mark Richardson CTE Pathways are now connected to life after high school via Concurrent Enrollment (5) and Pre-Apprenticeship (1).



[MRC Website & Video](#)





# Agriculture Farm & Construction

## Agriculture Farm

- Learn basic farming techniques, farm management, business cultivation, & harvesting techniques
- Certification: OSHA 10 Safety certification



## Construction

- Residential & commercial building
- Learned skills may include framing, electrical, plumbing, weatherization, blueprint reading, drywall, tile setting, roofing, & more.
- Certification: OSHA 10 Safety, NCCER Trade Craft Certification





# Culinary & Cyber Security



## Culinary

- AHC Concurrent courses
- Apply culinary techniques, food science technology, & nutritional science principles
- Certification: Food Handler's, Safe Serv.



## Cyber Security

- AHC Concurrent course
- Focus will be on LANs, WANs, OSI models, IP addressing, cabling, CompTIA Network+, & network standards, etc.
- Certification: COMPTIA, CISCO



# Diesel & Engineering Industrial Design

## Diesel

- Learn skills include the ability to: diagnose & repair diesel engines.
- Partners include: Quinn CAT, John Deere & SM Truck Center (Freightliner/Mercedes).
- Certification: SP2 Safety, Automotive HVAC, ASE Medium/Heavy Duty Diesel Student Certs



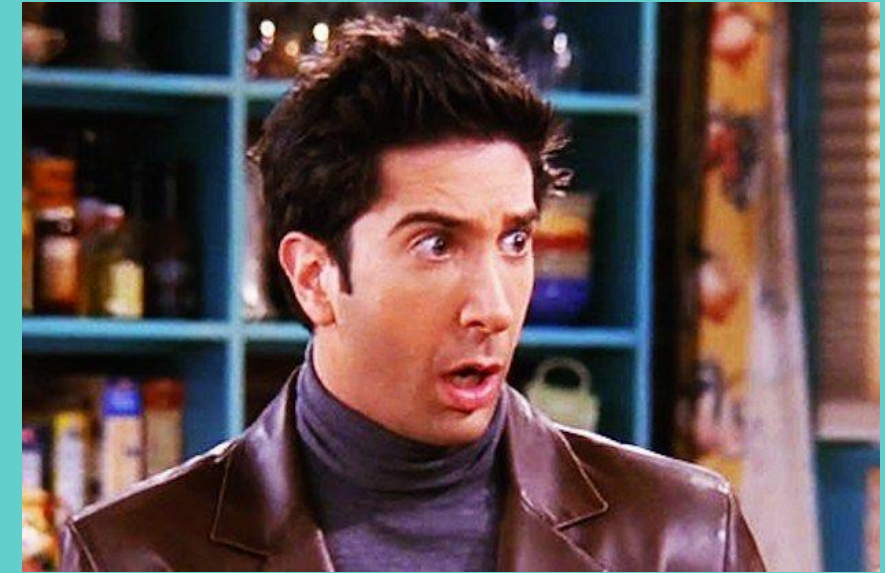
## Engineering & Industrial Design-

- AHC Concurrent course
- Learn skills may include: Operate conventional & computer numerical controlled (CNC) machinery, operate various CAD/CAM systems & interpret blueprints, material handling & quality control.
- Certification: OSHA 10 Safety, HAAS Machine Operator, Solidworks





*"The one where junior year testing pays off"*



## MEASURE B (SBAC)

4. SBAC level 3+ on both ELA & Math



# SBAC SCORES

- **SBAC** = Smarter Balanced Assessment System is the state standardized test given in 11<sup>th</sup> grade.
- Testing occurs in April
- **ELA:** (English) score of 2+ or 3+
- **Math:** score of 2+ or 3+
- Measures 1, 2, 4, 8, 9 & 12



## MEASURE A (CTE)

1. CTE Pathway & SBAC ELA 3+ & Math 2+ score
2. CTE Pathway & SBAC Math 3+ & ELA 2+ score
3. CTE Pathway + (1) semester college credit course

## MEASURE B (SBAC)

4. SBAC level 3+ on both ELA & Math

## MEASURE C (College Credit)

5. (2) semesters college credit course

## MEASURE D (AP)

6. Score of 3+ on (2) AP exams

## MEASURE E (A-G)

7. A-G + CTE Pathway
8. A-G + SBAC ELA 3+ & Math 2+ score
9. A-G + SBAC Math 3+ & ELA 2+ score
10. A-G + (1) semester college credit course
11. A-G + (1) AP exam score of 3+

## MEASURE F (Biliteracy Seal)

12. Biliteracy Seal & SBAC ELA 3+ score



**"The one where I start my college credits"**



# MEASURE C (College Credit)

5. (2) semesters college credit course



# COLLEGE COURSES

## College Courses (Measure C)

- **Concurrent Courses** = Allan Hancock / TAFT College courses taught at PV/MRC
  - AG 157 - Ag Sales, Communication, Leadership
  - AG 150 - Intro to Ag Business
  - AG 152 - Intro to Animal Science
  - AG 154 - Intro to Fruit Science
  - AG 155 - Mechanical Agriculture
  - AG 156 - Intro to Environmental Horticulture
  - AG 158 - Ag Economics
  - FASH 110 - Apparel Construction
  - FRENCH 101/102- French 2
  - PROD 301 - Intro to Life & Career
  - ATH 104 - Care/Prevention Athletic Injuries
  - HIST 101/102 - World Civilizations
  - HIST 107/108 - US History
  - ENG 101- English 3 H
  - ENG 160- Eng 4 H
  - POLS 103 - American Government
- **College Now!** : Courses taken at Hancock College or other colleges by high school students.

## MEASURE A (CTE)

1. CTE Pathway & SBAC ELA 3+ & Math 2+ score
2. CTE Pathway & SBAC Math 3+ & ELA 2+ score
3. CTE Pathway + (1) semester college credit course

## MEASURE B (SBAC)

4. SBAC level 3+ on both ELA & Math

## MEASURE C (College Credit)

5. (2) semesters college credit course

## MEASURE D (AP)

6. Score of 3+ on (2) AP exams

## MEASURE E (A-G)

7. A-G + CTE Pathway
8. A-G + SBAC ELA 3+ & Math 2+ score
9. A-G + SBAC Math 3+ & ELA 2+ score
10. A-G + (1) semester college credit course
11. A-G + (1) AP exam score of 3+

## MEASURE F (Biliteracy Seal)

12. Biliteracy Seal & SBAC ELA 3+ score



*"The one where I ROCK my AP exams"*

# MEASURE D (AP)

6. Score of 3+ on (2) AP exams





# AP EXAMS

## AP Exams (Measure D)

- **Advanced Placement Exams in May: Must earn a score of 3+**
  - Eng 3 H/Eng 101- AP English Language 3
  - Eng 4 H/Eng 1600- AP English Literature 4
  - AP Calculus
  - AP Statistics
  - AP Biology (not the same as 10th grade biology)
  - AP Environmental Science
  - HIST 101/102 - World Civilizations
  - HIST 107/108 - US History
  - POLS 103 - American Government
  - AP US Economics
  - AP French (LOTE 4)
  - AP Spanish Language & Culture (LOTE 4)
  - AP Spanish Literature & Culture (LOTE 4)
- **College Credit: Many colleges will accept AP scores of 3 or higher to meet requirement (won't need to take class in college)**

\* Concurrent/Dual Enrollment courses automatically provide college credit with a passing grade.

## MEASURE A (CTE)

1. CTE Pathway & SBAC ELA 3+ & Math 2+ score
2. CTE Pathway & SBAC Math 3+ & ELA 2+ score
3. CTE Pathway + (1) semester college credit course

## MEASURE B (SBAC)

4. SBAC level 3+ on both ELA & Math

## MEASURE C (College Credit)

5. (2) semesters college credit course

## MEASURE D (AP)

6. Score of 3+ on (2) AP exams

## MEASURE E (A-G)

7. A-G + CTE Pathway
8. A-G + SBAC ELA 3+ & Math 2+ score
9. A-G + SBAC Math 3+ & ELA 2+ score
10. A-G + (1) semester college credit course
11. A-G + (1) AP exam score of 3+

## MEASURE F (Biliteracy Seal)

12. Biliteracy Seal & SBAC ELA 3+ score



*"The one where I pass all A-G classes"*

# MEASURE E (A-G)

7. A-G + CTE Pathway

8. A-G + SBAC ELA 3+ & Math 2+ score

9. A-G + SBAC Math 3+ & ELA 2+ score

10. A-G + (1) semester college credit course

11. A-G + (1) AP exam score of 3+





# A-G COMPLETION +

- **A-G graduation requirements: UC/CSU requirements**
  - **A – History**
    - 2 years (World History & US History)
  - **B – English**
    - 4 years
  - **C – Math**
    - 3 years req, 4 rec. (Algebra 1, Geometry, Algebra 2)
  - **D – Lab Science**
    - 2 years req, 3 rec. (Biology & Chemistry)
  - **E - Foreign Language**
    - LOTE level 2 required, 3 rec. (same language)
  - **F – Fine Arts**
    - 1 year (2 semesters of same discipline)
  - **G – Electives**
    - 1 year or 2 semesters

- ***\*Must earn "C" or better to count in all college prep (P) courses***

## MEASURE A (CTE)

1. CTE Pathway & SBAC ELA 3+ & Math 2+ score
2. CTE Pathway & SBAC Math 3+ & ELA 2+ score
3. CTE Pathway + (1) semester college credit course

## MEASURE B (SBAC)

4. SBAC level 3+ on both ELA & Math

## MEASURE C (College Credit)

5. (2) semesters college credit course

## MEASURE D (AP)

6. Score of 3+ on (2) AP exams

## MEASURE E (A-G)

7. A-G + CTE Pathway
8. A-G + SBAC ELA 3+ & Math 2+ score
9. A-G + SBAC Math 3+ & ELA 2+ score
10. A-G + (1) semester college credit course
11. A-G + (1) AP exam score of 3+

## MEASURE F (Biliteracy Seal)

12. Biliteracy Seal & SBAC ELA 3+ score



*"The one where I speak many languages"*

# MEASURE F (Biliteracy Seal)

12. Biliteracy Seal & SBAC ELA 3+ score





# BILITERACY SEAL

## Seal of Biliteracy (Measure F)

- **State Seal of Biliteracy:** Awarded to students who the state recognizes as being proficient in speaking, reading & writing in one or more languages in addition to English.
- **How to qualify:**
  1. Proficient in English
    - SBAC score of 3 or higher OR
    - 3.0 GPA in all 4 years of English classes OR
    - AP English score of 3 or higher OR
    - SAT writing score of 480 or higher
  2. Proficient in a foreign language
    - 3.0 GPA in all 4 years of foreign language OR
    - AP exam score of 3 or higher OR
    - Passing district administered exam (AVANT) with proficient or higher
- **For English Language Learners:**
  1. Pass the ELPAC exam with Oral Lang. Level of 4
  2. Requirement 1
  3. Requirement 2



## MEASURE A (CTE)

1. CTE Pathway & SBAC ELA 3+ & Math 2+ score
2. CTE Pathway & SBAC Math 3+ & ELA 2+ score
3. CTE Pathway + (1) semester college credit course

## MEASURE B (SBAC)

4. SBAC level 3+ on both ELA & Math

## MEASURE C (College Credit)

5. (2) semesters college credit course

## MEASURE D (AP)

6. Score of 3+ on (2) AP exams

## MEASURE E (A-G)

7. A-G + CTE Pathway
8. A-G + SBAC ELA 3+ & Math 2+ score
9. A-G + SBAC Math 3+ & ELA 2+ score
10. A-G + (1) semester college credit course
11. A-G + (1) AP exam score of 3+

## MEASURE F (Biliteracy Seal)

12. Biliteracy Seal & SBAC ELA 3+ score



# REMINDERS

## Elective Fair

Weds, Feb 26th

## Academic Support

### PEER TUTORING

@ Library (Sign ups in room 301). Available before/after school.

### MIGRANT ED/BIA TUTORING

@ Library before and after school.

### TUTOR.COM

Available on CANVAS 24/7

### TALK TO TEACHER

Ask to see your teachers before/after school, breaks, and lunch.

Submit all work through CANVAS.

## PVHS 2025 Registration Schedule



In March counselors will be going into the classroom to help you register for next years classes. Find your teacher below and make sure you're there!

## SOPHOMORES: History

WEDS  
MARCH 5

Lyon, Navarrete

THURSDAY  
MARCH 6

Cornejo, Fairchild, Harpster, Mathias

THURS  
MARCH 13

Ruiz