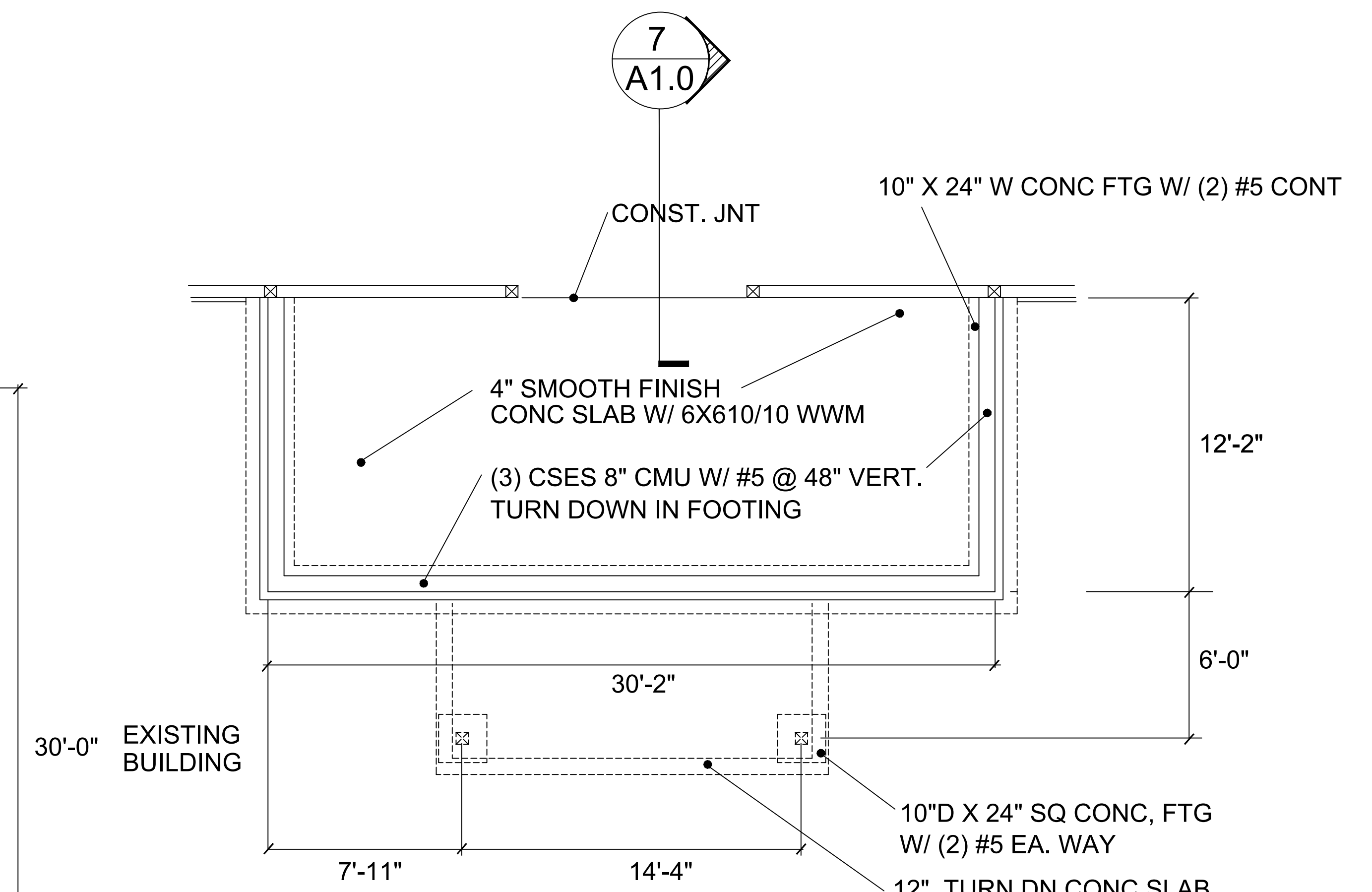
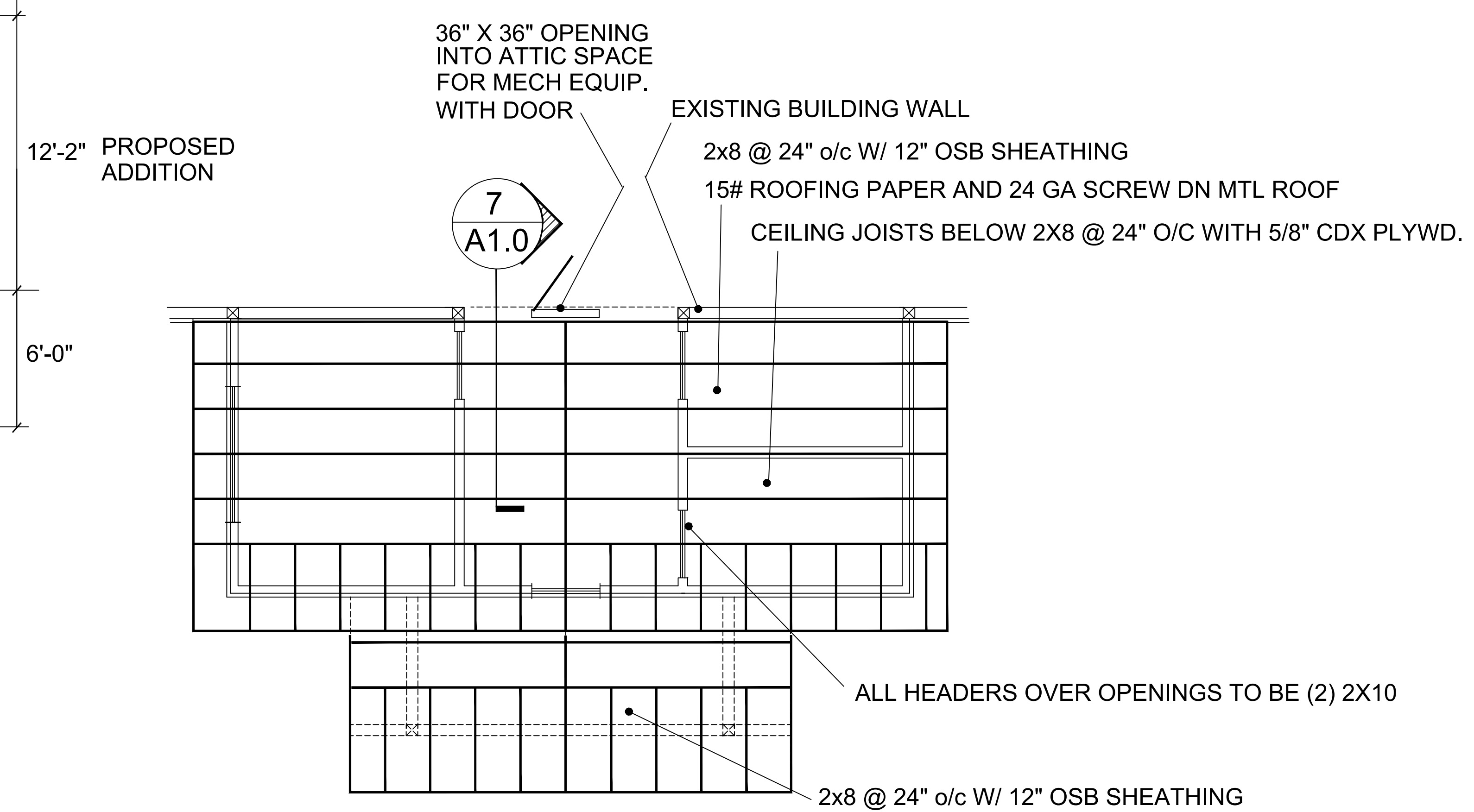


1 PROPOSED FLOOR PLAN
1/4" = 1'-0"



2 FOUNDATION PLAN
1/4" = 1'-0"



3 ROOF FRAMING PLAN
1/4" = 1'-0"

JIMMY NEIL ANDERSON ARCHITECT

1 ANDERSON TRAIL
CLIFTON, TN 38425
(731) 394-6565
JIMAS65@HOTMAIL.COM

THIS DRAWING AND THE DESIGN SHOWN IS THE PROPERTY OF THE ARCHITECT. THE REPRODUCTION OR USE OF THIS DRAWING WITHOUT THE ARCHITECT'S WRITTEN CONSENT IS PROHIBITED AND ANY INFINGMENT IS SUBJECT TO LEGAL ACTION.

WAYNE COUNTY EXTENDED LEARNING FACILITY
1 PARK LANE; COLLINWOOD, TN 38450

REVISED

A1.0