



ELMORE COUNTY BOARD OF EDUCATION

100 H.H. Robison Drive
P.O. Box 817
Wetumpka, AL 36092

Phone: 334-567-1200
Fax: 334-567-1405

Richard E. Dennis, Superintendent
Jason M. Mann, CSFO

ELMORE COUNTY HIGH SCHOOL FENCING BID # 24-002

PUBLIC NOTICE FOR FENCING SYSTEM INSTALLATION AT ELMORE COUNTY HIGHSCHOOL, LOCATED AT 155 NORTH COLLEGE AVENUE| ECLECTIC, AL 36024, FOR THE ELMORE COUNTY BOARD OF EDUCATION, WETUMPKA, ALABAMA.

Sealed proposals will be received at the Elmore County Board of Education, 100 H.H. Robison Drive, Wetumpka, Alabama, opened and read aloud in the Maintenance Building Conference Room on **Friday November 17th, at 10:00 AM**. This project shall be bid excluding taxes. The bids must be submitted on company letterhead and the company name, bid number, and proof of insurance are to be posted on the outside of the bid envelope. ****This is required for the bid to be accepted and opened**** No bid may be withdrawn after scheduled closing for receipt of bids for a period of sixty (60) days. **Five percent (5%) retainage** will be held on the estimated amount of work done and the value of materials stored on the site or suitably stored and insured off-site shall be held until final completion, acceptance of all work, and completion of work advertisements for 4 consecutive weeks are made in the local county newspaper. All bidders bidding in amounts exceeding that established by the State Licensing Board for General Contractors (\$50,000.00) must be licensed under the provisions of Title 34, Chapter 8, Code of Alabama, 1975. **The Bidder must display current General Contractor's License Number on the outside of the sealed envelope** in which the proposal is delivered or it will not be considered by the Owner. The Owner reserves the right to reject any or all proposals and to waive technical errors if, in the Owners judgment, the best interests of the Owner will thereby be promoted. **A separate certified check or Bid Bond** payable to The Elmore County Board of Education in an amount not less than five percent (5%) of the amount of the bid, but in no event more than \$10,000.00 must accompany the bidder's proposal. Performance and statutory labor and material payment bonds will be required at the signing of the Contract.

The Contractor is responsible to provide a portable toilet for his employees to use for the duration of this project.

All contractors bidding this project are encouraged to visit the sites and examine all existing conditions prior to submitting their proposal.

All bidders shall have general liability insurance of no less than \$500,000.00, and a current business license.

The project shall be bid excluding taxes.

Supervision: Contractor to ensure proper supervision of all work at each site.

Every student empowered. Every student succeeds.

BOARD MEMBERS

Michael Morgan-Chairman Dale Bain-Vice Chairman Leisa Finley Brian Ward Joey Holley David Jones Wendell Saxon

Questions may be directed to **Kenneth Garner** work - 334-567-1420 Ext. 22007, mobile – 334-530-3956, ken.garner@elmoreco.com or **Mike Czerpak** work – 334-567-1420 Ext. 22003, mobile 334-391-3029, mike.czerpak@elmoreco.com. Please see the RFP project specification documents located on the ECBOE website under the “BIDS” tab. www.elmoreco.com

Owner:

Mr. Richard Dennis, Superintendent,
Elmore County Public Schools
100 H.H. Robison Drive Wetumpka, Alabama 36092
Phone: (334) 567-1200.

Elmore County High School Fence BID 24-002

Provide and install approximately 1250 linear feet of 6' tall black vinyl coated galvanized fencing with barb/twists above the top rail, and all accessories required. (See attached image and drawing)

1. Provide 3 sliding gates (approximately 20', 30', & 35' wide) with operator and keypad control equal to American Access DKE Model 26 across the roadways. The contractor is responsible for running electricity to the gate operator including any trenching, boring, or cutting asphalt. (See attached image and drawing)
2. Provide exit loops and photo eyes at each automatic gate.
3. Provide 7-day timer to automatically open and close gates equal to Security Brands Model 55-T. Provide stand and keyed access to the timer. (see Pictures "A" & "B")
4. Provide a 4' wide hinged gate with panic hardware, keyed access, and hydraulic closer near each automatic gate as shown on the drawing.
5. The gates with automatic closers have to be UL-325 Compliant.
6. Provide any and all clearing, grubbing, grading and debris removal for installation.
7. Provide concrete footing for fence posts.
8. The chain link fence is to be vinyl coated 9-gauge core.
9. The gates to be constructed from similar commercial grade coated tubing as the fence with 9-gauge vinyl coated fencing.
10. Provide safety switches on the end of each gate and any required safety equipment.

Picture "A"



Picture "B"



EXHIBIT "A"

Elmore County Highschool Fencing Project 23-021

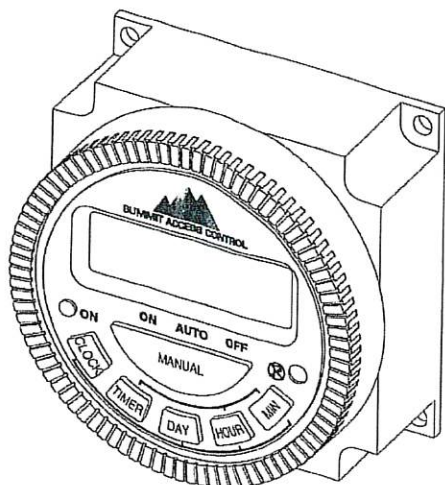
FENCE INSTALLATION EXPECTATIONS/RESPONSIBILITIES

1. This contract will include installation of fencing and gates at Redland Middle School as per map and drawings.
2. All employees will have to go through our Raptor checking system.
3. The contractor shall furnish all labor, materials, supplies, equipment and supervision to perform the installation of the described work to include running electricity to all gate operators.
4. Contractor shall attend a Pre-Construction meeting and a Final Inspection with the owner. Payment of this contract will only be released after said inspection and completion of any punch list items.
5. Work will not be performed when students are in the immediate area.
6. Work can be performed in the evenings and on the weekend as long as it is approved by Project Manager and it doesn't interfere with school functions.
7. Invoices will be submitted no later than the 10th of the month for review and approval.
8. Contractor must maintain a current business license.
9. Contractor must maintain liability insurance of not less than \$500,000.00.
10. Employees will not have any contact with any student, this will be grounds for immediate termination of the contract.
11. No smoking on any campus.
12. No foul language used on campus.
13. No weapons allowed on campus.
14. Questions or concerns are to be directed to the Project Manager. No contact with the school staff is allowed unless authorized. Elmore County Board of Education is not responsible for any changes or decisions or the cost associated with them, not approved by the Project Manager.



INSTRUCTIONS 7-DAY TIMERS

Model 55-T



1	MO	TU	WE	TH	FR	SA	SU
2	MO	TU	WE	TH	FR	SA	
3	MO	TU	WE	TH	FR		
4						SA	SU
5	MO	TU	WE		FR		
6		TU		TH		SA	
7	MO		WE				
8				TH	FR	SA	
9	MO						
10		TU					
11			WE				
12				TH			
13					FR		
14						SA	
15							SU

Figure 1: Daily Program Schedules

GENERAL INFO

7-day timers are available in the following models:

- 55-T12 12-Volt DC Digital Timer
- 55-T24 24-Volt AC/DC Digital Timer
- 55-T110 110-Volt AC Digital Timer

Input voltage depends on the model. Please verify the model you have before proceeding. The model number can be found on the rear of the timer housing.

These timers allow storage of up to 17 on/off events per day as well as 15 different daily program schedules, which allow maximum flexibility (see Figure 1).

NOTE: Program options shown on timer display are ordered as shown in Figure 1 but are not numbered.

All timers come equipped with a form "C" relay capable of 16 A @ 30 VDC.

All timers feature an internal battery for backup power in the event of a power outage.

DIMENSIONS IN INCHES

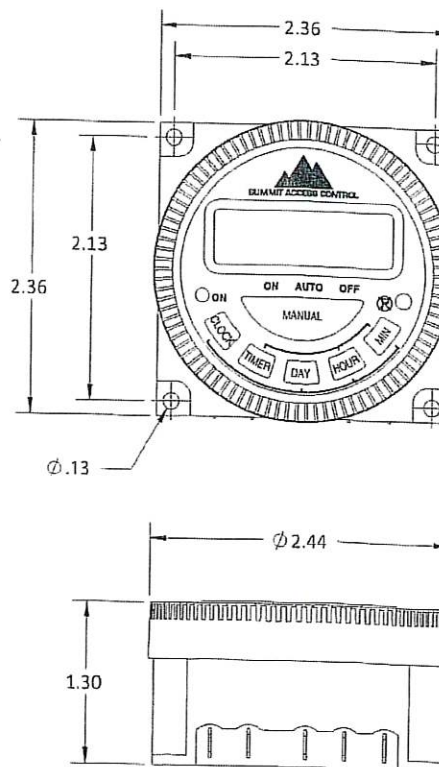


Figure 2: Timer Dimensions

Two-Year Limited Warranty

Visit securitybrandsinc.com/warranty/ for details



NEED
HELP

call
(972) 474-6390
or email
techsupport@securitybrandsinc.com



BUTTONS/INDICATORS

CLOCK: to adjust day and time; must be pressed and held to allow use of day and time buttons

TIMER: to set up and review programmed events

DAY: to adjust day of week

HOUR: to adjust hour

MIN: to adjust minutes

MANUAL: to select between **ON/AUTO/OFF** modes (active mode indicated by bar on display)

Modes:

ON: relay is active

AUTO: timer will follow user-specified programs

OFF: relay inactive; no programs will be followed

ON: relay indicator (LED is on when relay is active and off when inactive)

: resets timer settings

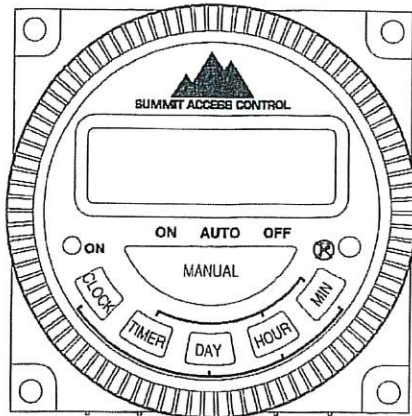


Figure 3: Front Panel

TIMER OPERATION

SETTING DATE AND TIME

Press and hold **CLOCK**, then use **DAY**, **HOUR**, and **MIN** buttons to set date and time.

PROGRAMMING EVENT 1

1. Press **TIMER**. will appear on display unless a time is already stored in memory.
2. Press **DAY** until desired daily program schedule is indicated on display (See **Figure 1**).
3. Press **HOUR** and **MIN** to set desired ON time.
4. Press **TIMER** button again. will appear on display unless a time is already stored in memory.
5. Set desired OFF time as in Steps 2 and 3.

PROGRAMMING EVENTS 2-17

Repeat steps as in **Programming Event 1**.

EXITING PROGRAMMING MODE

Once all events are programmed, press **CLOCK** to exit programming mode.

ACTIVATING TIMER FOR AUTOMATIC USE

Press **MANUAL** button until indicator bar on display appears above **AUTO**.

REVIEW PROGRAMMED EVENTS

Press **TIMER** button to see first event programmed. Repeat to review each event.

NOTE: If an ON time is set, a corresponding OFF time must also be set.

NOTE: Timer will exit programming mode automatically after 20 seconds of inactivity.

WIRE CONNECTIONS

NOTE: Use 1/4" female spade connectors for your wire connections.

1 = Power Positive + (55-T12 = 12 VDC, 55-T24 = 24 VAC/DC, 55-T110 = 110 VAC hot)

2 = Power Negative - (55-T12 = 12 VDC, 55-T24 = 24 VAC/DC, 55-T110 = 110 VAC neutral)

3 = Timer Relay NC (Normally Closed)

4 = Timer Relay NO (Normally Open)

5 = Timer Relay COM (Common)

Refer to **Figure 4**.

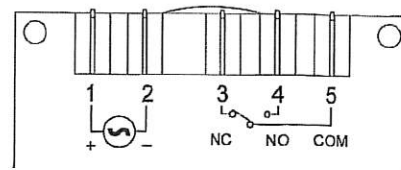


Figure 4: Wire Connections (rear of unit)



ADVANTAGE DKE



26 SERIES

100- AND 500-CODE ECONOMY KEYPADS

FEATURES

- Control up to 2 gates/doors (26-500)
- Control 1 gate/door (26-100SG)
- 500 four-digit code capacity (26-500)
- 100 four-digit code capacity (26-100SG)
- Latch code
- Personal master code
- Variable relay time
- Event input (26-500 only)
- Audible-tone feedback
- Non-volatile memory
- Backlit keypad (26-500 only)



ADVANTAGE

SOLID ACCESS CONTROL FOR OVER 35 YEARS

NO-NONSENSE OPERATION

If you're looking for keypads that are easy to program and easy to use, look no further!

THE SMART SOLUTION

These keypads have all the features you want and then some but still come in at a price that will fit most budgets.

STURDY AND DURABLE

All our products are made from high-quality materials that will last for years to come.

PROGRAMMING YOU KNOW

Quick, simple, and familiar, the basic programming steps on the keypad are identical to those on all our keypads.



SPECIFICATIONS

PHYSICAL

26-500

Dimensions 5.41"(H) x 4.07"(W) x 3.38"(D)

Shipping Weight 4 lbs.

26-100SG

Dimensions 4.50"(H) x 2.75"(W) x 0.75"(D)

Shipping Weight 4 lbs.

ELECTRICAL

Input 12-24 VAC/DC
power supply not included

Current Draw (26-500) less than 41 mA @ 12 VDC
less than 22 mA @ 24 VDC
with relay latched and backlit components on

RELAY

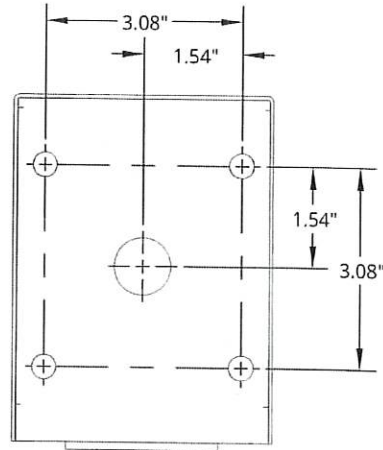
Contact Rating 1 A @ 24 V / .5 A @ 120 V
DC Load / AC Load

Variable Relay Time 1-999 / 1-9 seconds
26-500 / 26-100SG

ENVIRONMENTAL

Operating Temperature -15 to 175 °F

MOUNTING (26-500)

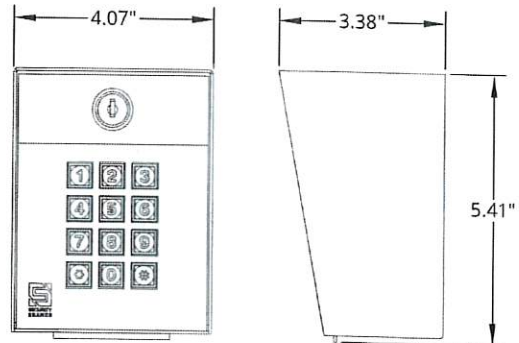


HOLE SIZES

Wiring pass through 0.88"

Mounting holes (x4) 0.38"

Unit includes mounting hardware.



26-500 shown

AVAILABLE MODELS



26-500
Post Mount



26-100SG
Single Gang

For more information, visit us online:
securitybrandsinc.com

 **SECURITY BRANDS INC™**
your *partner* in access control

(972) 474-6390

sales@securitybrandsinc.com

2151 East Glen Blvd
Mesquite, TX 75181